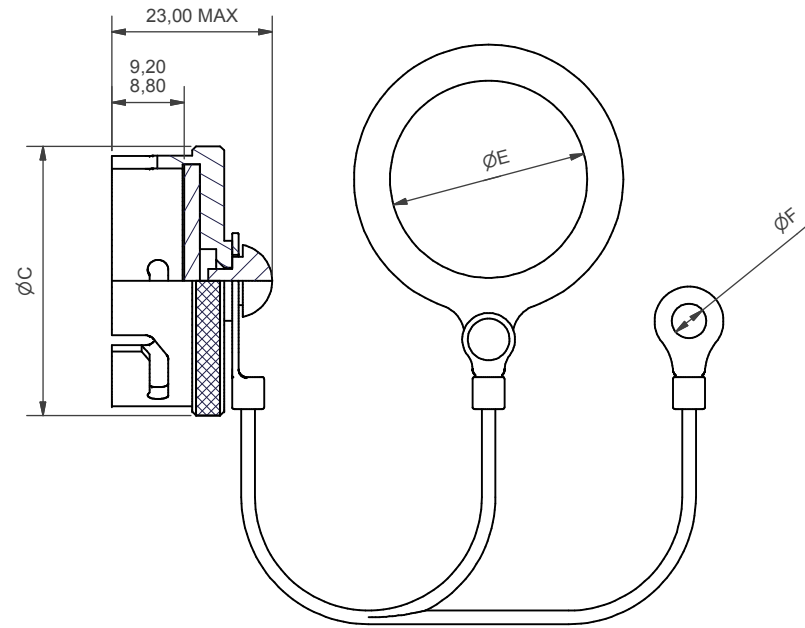


100P663 - PLUG COVER



100P651 - RECEPTACLE COVER

SHELL SIZE	A MAX	B MAX	C MAX	D DIA	E DIA	EYELET REF.	F
09	21,0	14,4	19,8	11,9	18,0	00	NA
11	24,0	17,6	23,5	15,1	21,4	01	3,2
13	29,0	21,4	27,3	18,0	25,8	02	3,7
15	32,0	24,6	30,5	21,4	28,8	03	4,3
17	35,0	27,8	33,6	24,6	32,0	04	5,3
19	38,0	30,5	36,6	27,8	36,9	05	6,4
21	41,0	33,7	39,5	30,6	38,3		
23	44,0	36,9	42,6	34,1	41,7		
25	47,0	40,0	46,0	36,9	44,6		

100P663-17-1-C-WR4-17

SERIES \_\_\_\_\_  
 SHELL SIZE \_\_\_\_\_  
 MATERIAL \_\_\_\_\_  
 PLATING \_\_\_\_\_  
 LANYARD TYPE \_\_\_\_\_  
 LANYARD LENGTH \_\_\_\_\_  
 ATTACHMENT REF. (00 - 05: EYELET)  
 (09 - 25: RING)

<b>DUST COVER</b>	<b>SERIES 100P663 &amp; 100P651</b> TO FIT CONNECTOR MIL-C-38999 SERIES I
	THIS DRAWING IS THE COPYRIGHT AND THE PROPERTY OF POLAMCO LTD. IT MUST NOT BE COPIED, USED FOR MANUFACTURE OR OTHERWISE DISCLOSED WITHOUT WRITTEN CONSENT OF THE COMPANY
 <b>POLAMCO LTD</b>	WESTON LOCK LOWER BRISTOL ROAD BATH BA2 1EP